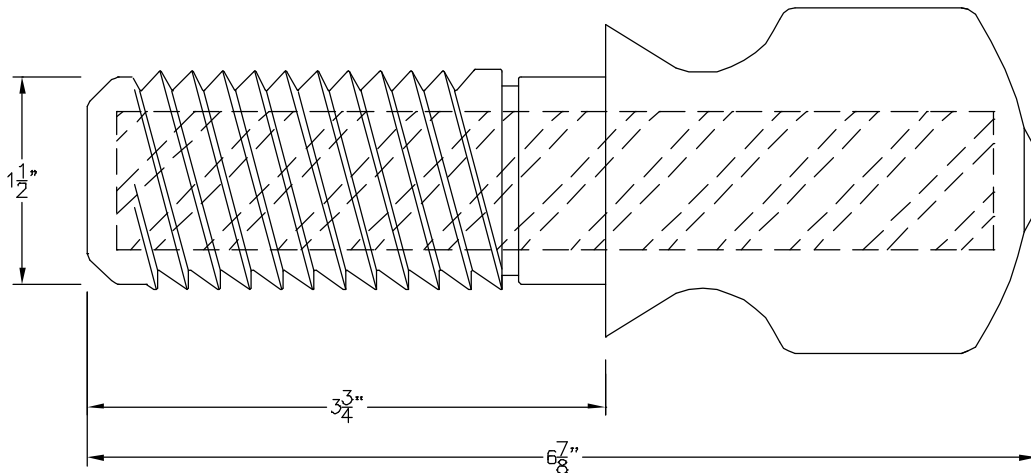
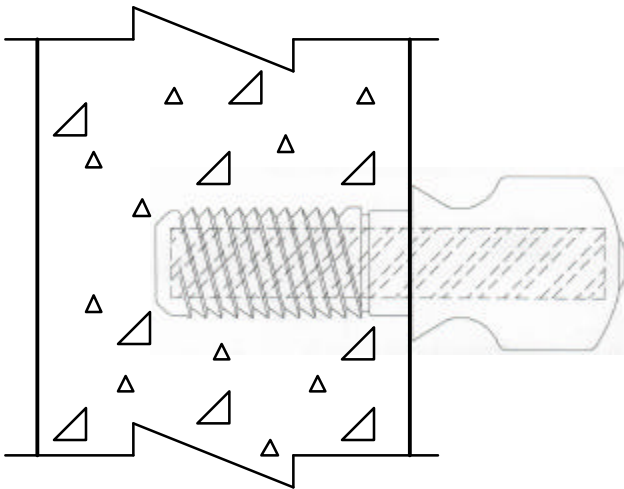


EZ LIFT PINS



Pin Composition:

Each pin is injection molded polypropylene around a 1" diameter ASTM A-615 Grade 60 reinforcing bar. The polypropylene material conforms to ASTM D-4101 specifications.



Load Capacity:

The *working load limit* is 7,500 lbs. per pin*

* Ultimate load is four times the working load.

