

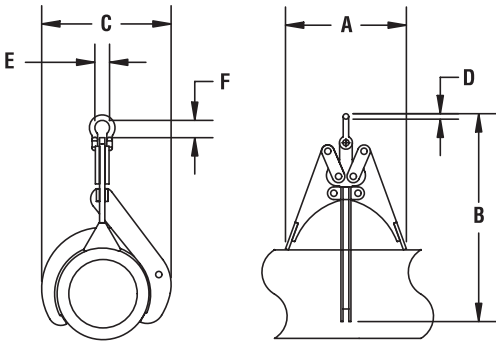


Model C & S - Pipe Grabs



PRODUCT FEATURES:

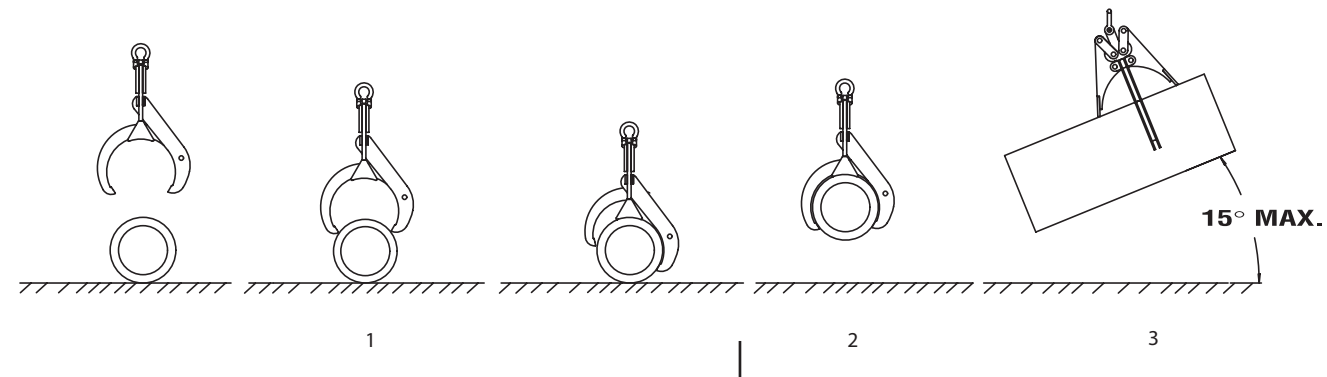
- When these high-strength, clamps are dropped over a pipe, they automatically clamp it.
- ¥ Outriggers stabilize the pipe during lift.
- ¥ No blocking is required.
- ¥ The operator only has to guide the clamp into place.
- ¥ Pipes can be handled quickly and efficiently when properly balanced.
- ¥ Excellent for cast iron, or steel pipe, as well as tubing and other cylindrical objects.
- ¥ Pipe grab sizes listed will handle: all classes in a category of ASA standard cast iron pipe; standard, extra strong, and double extra strong steel pipe (all have same O.D.).
- ¥ Designed and manufactured to ASME B30.20.



SPECIFICATIONS

Rated Capacity (lbs)	Cast Iron		Steel		Dimensions in Inches						Weight (lbs)	
	Model Number	Pipe O.D. Inches	Model Number	Pipe O.D. Inches	A	B	C	D	E	F		
450												

Operation



1. Lower the grab and place on pipe. As rope is loosened grab will open and seat on pipe.
2. Lift slowly with grab engaged to check for balance.
3. Ideally, lift should be level, but never exceed an angle of 15°.



Decreasing the load by bumping or substantial imbalance can, under certain circumstances loosen the grip. Do not use in diameters other than those specified on nameplate.



Model APG - Pipe Grabs

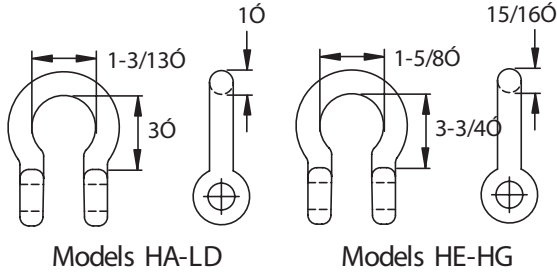


SPECIFICATIONS

Model Number	Standard Nominal Pipe Size - Description	Liner size	Rated Cap	Weight
HA-1/8	4" Ductile Iron / C900 PVC	1/8"	2000	12
HA-1/4	4" Bare Steel	1/4"	2000	12
HB-3/16	6" Ductile Iron / C900 PVC	3/16"	2000	19
HB-5/16	6" Bare Steel	5/16"	2000	19
HC-5/16	8" Ductile Iron / C900 PVC	5/16"	3000	30
HC-1/2	8" Bare Steel / PVS SDR 35 Sewer Pipe	1/2"	3000	30
HC	8" Cement Coated Steel	none	3000	30
LC-1/2	8" C900 PVC	1/2"	1500	25
LC	8" Clay Pipe	none	1500	25
HD-9/16	10" Ductile Iron / C900 PVC	9/16"	3000	36
HD-11/16	10" Bare Steel / PVS SDR 35 Sewer Pipe	11/16"	3000	36
HD-1/4	10" Cement Coated Steel	1/4"	3000	36
LD-1/4	10" Clay Pipe	1/4"	1500	30
LD	12" C900 PVC	none	1500	30
HE-9/16	12" Ductile Iron / C900 PVC	9/16"	3500	57
HE-3/4	12" Bare Steel / PVS SDR 35 Sewer Pipe	3/4"	3500	57
HE-1/8	14" Bare Steel	1/8"	3500	57
LE-1/4	12" Clay Pipe	1/4"	1500	40
LE	15" PVC SDR 35 Sewer Pipe	none	1500	40
HF-1/2	14" Ductile Iron / C900 PVC	1/2"	3000	68
HF-5/16	16" Bare Steel	5/16"	3000	68
HF-3/8	12" Standard Reinforced Concrete	3/8"	3000	68
HF-9/16	12" Concrete Cylinder	9/16"	3000	68
HG-11/16	16" Ductile Iron / C900 PVC	11/16"	3500	98
HG-13/16	14" Concrete Cylinder	13/16"	3500	98
HG-3/8	15" Clay Pipe	3/8"	3500	98
HG-1/4	18" PVC SDR 35 Sewer Pipe	1/4"	3500	98
HG	15" Standard Reinforced Concrete	none	3500	98

- PRODUCT FEATURES:**
- ¥ Constructed of light weight cast aluminum
 - ¥ Easy handling of a variety of types and sizes of pipe
 - ¥ Increased efficiency saves both time and money
 - ¥ Quickly attaches and releases from the load
 - ¥ Product includes one set of liners to fit a specific size.
 - ¥ Additional liners can be purchased for added versatility.

Lifting Eye



Models HA-LD

Models HE-HG

Operation





Model PLT - Pipe Tong



PRODUCT FEATURES:

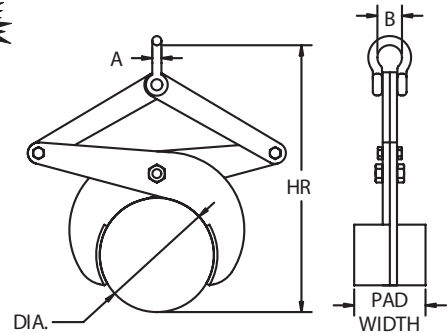
- ¥ Pipe Tongs are of sturdy construction to handle pipe, round bars, castings, etc.
- ¥ Tongs are provided with curved gripping arms for a positive grip on all types of material.
- ¥ Padded tongs can be furnished on request to protect smooth or polished surfaces.
- ¥ Load must be balanced and controlled when lifting.
- ¥ May be used in pairs with a lifting beam for added stability.
- ¥ Designed and manufactured to ASME B30.20.

Fixed Diameter

Model Number	Rated Capacity (lbs)	Dia. (in)	A (in)	Wt. (lbs)

Adjustable Diameter

Model Number	Rated Capacity (lbs)	Dia. Min/Max	A Min/Max	Pad Width	Wt. (lbs)



Operation



Decreasing the load by bumping or substantial imbalance can, under certain circumstances loosen the grip. Do not use in diameters other than those specified on nameplate.



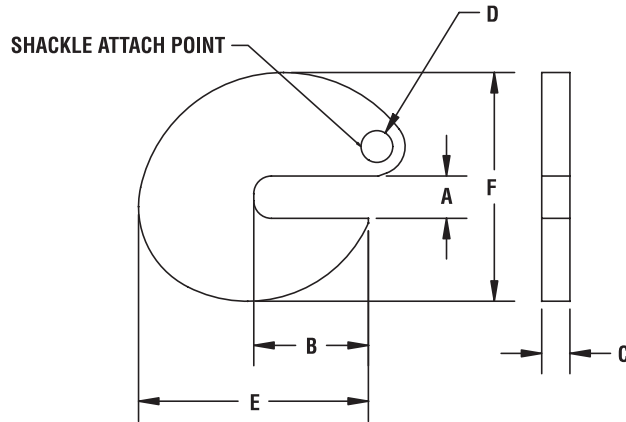
Model PH - Pipe Hooks

PRODUCT FEATURES:

- ¥ Designed for lifting and carrying steel pipes and other types of pipe.
- ¥ This pipe hook will stay in position in a no load condition.
- ¥ High visibility red enamel finish.
- ¥ Designed and manufactured to ASME B30.20.



Note: Rated capacity is per pair.

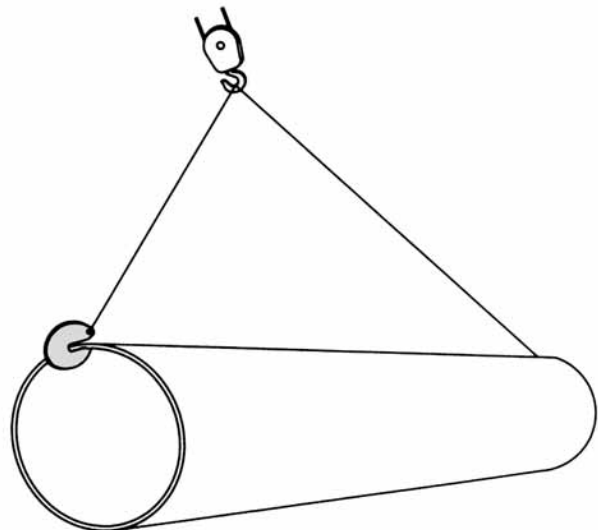
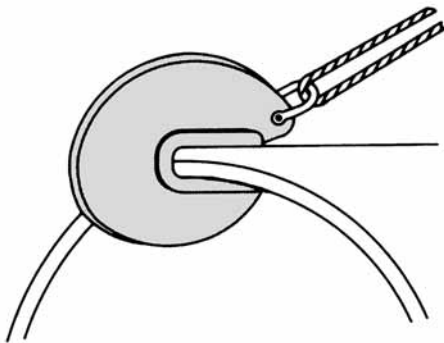


SPECIFICATIONS

MODEL NO. PER PAIR	RATED CAPACITY TONS PER PAIR	SHACKLE PIN DIA. (In.)	DIMENSIONS (in.)						WGT. LBS. PER PAIR
			A	B	C	D	E	F	

FINISH: Red Enamel

Operation



WARNING! Use as pair only



Model CPL - C-Hook Pipe Lifter



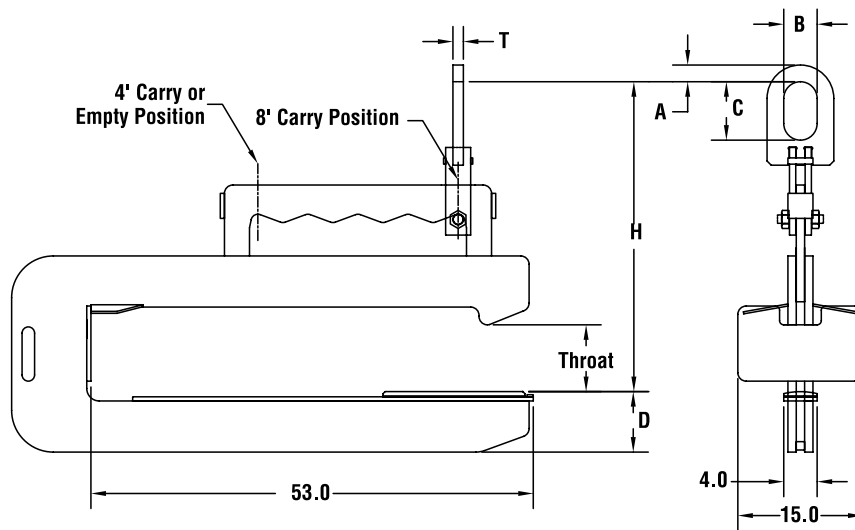
PRODUCT FEATURES:

- ¥ Quick and efficient way to pick and place pipe.
- ¥ Handles a wide range of precast concrete pipe.
- ¥ Multiple lifting points allow pick point to be positioned directly over the load center of gravity.
- ¥ Bail is designed to remain upright for easy attachment.
- ¥ Replaceable, non-skid urethane saddle prevents pipe from slipping off lifter.
- ¥ Six different models are available up to 30,000 lbs. capacity.

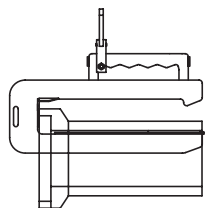
SPECIFICATIONS

Dimensions in inches												
Model	Max. Pipe Size	A	Throat	Arm (D)	Arm Length	Headroom	Bail Dimensions				Capacity (lbs.)	Weight (lbs.)
							A	B	C	T		

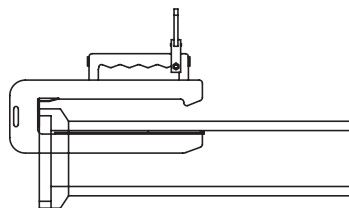
Note: For bell & spigot pipe only, other pipe designs, please consult factory.



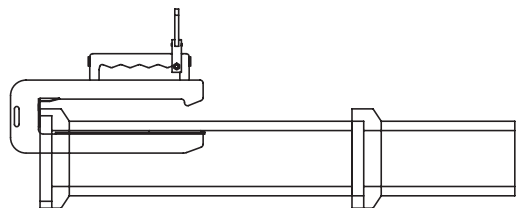
Operation



4' Carry Position or Empty Position



8' Carry Position



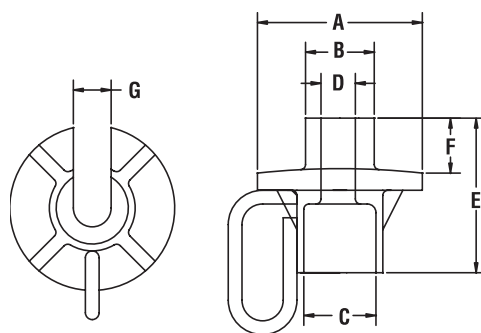
Use to easily join lengths of pipe.



Model PC - Tea Cup Pipe Carrier

PRODUCT FEATURES:

- ¥ An efficient way to handle concrete water and sewer pipes.
- ¥ The Caldwell Tea Cup Carrier will save you time and money.
- ¥ Three sizes available, to handle from 3/4" to 1-1/2" cable, and lift up to 18 tons.
- ¥ Optional Spoon Handle allows the PC-3/4" Tea Cup to be guided into small diameter pipes.
- ¥ Designed and manufactured to ASME B30.20 and B30.9.



SPECIFICATIONS - Model PC

Model Number	Rated Capacity Tons	Dimensions in Inches							WT. (lbs)
		A	B	C	D	E	F	G	

* Can use Spoon Handle with this model.

NEW MODEL

Low Profile Tea Cup Pipe Carrier

Same as standard model plus:

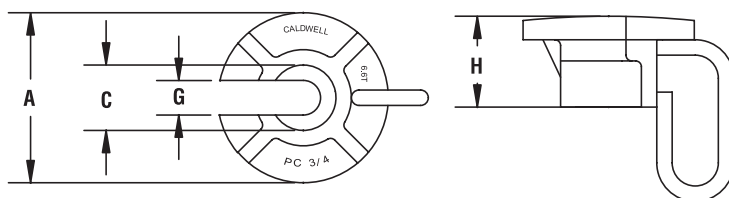
- ¥ Only wire rope needs to be inserted through pipe.



SPECIFICATIONS - Low Profile

Model Number	Rated Capacity Tons	Dimensions in Inches				WT. (lbs)
		A	C	E	G	

* Can use Spoon Handle with this model.





Tea Cup Pipe Carrier Options

Spoon Handle Option - SH



Spoon handle for PC-3/4 only
please order SH-3/4
(Includes bolt on lip)

Tea Cup Lifting Sling Option - LS

SPECIFICATIONS - Model LS

Use With	Model Number	Rated Capacity Tons	Sling Dia. (in)	Standard Length (ft)	After Swage Dim. (in)		WT. (lbs)
					A	B	
PC-3/4							
PC-1							



Operation



Drop pipe carrier lifting sling through hole in pipe. Align and insert Tea cup pipe carrier into lifting sling.



Once set, you are ready to lift the pipe.